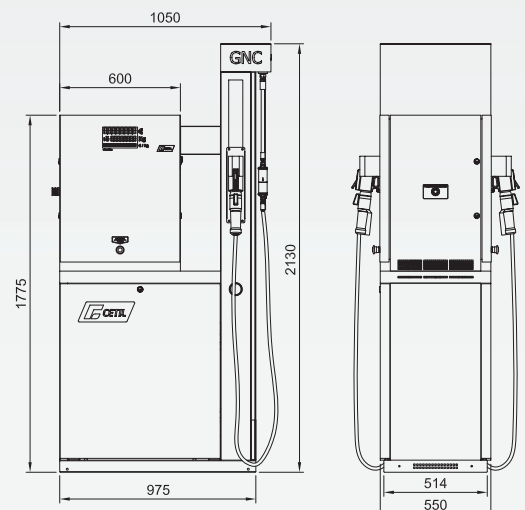


E30 CNG A



Highlights

- _ Compressed Natural Gas (CNG) or Biomethane
- _ High flow rate up to 80kg/min.
- _ Metrology requirements: OIML R139
- _ Safety requirements: ATEX and PED
- _ POS communication: IFSF-LON
- _ PLC communication: MODBUS
- _ Remote monitoring system (optional): SMART CONTROLLER



E30 CNG A

Electronics

EAS2 Electronic Calculator

- High contrast, wide viewing angle LCD.
- Indication: mass or volume, price and unit price.
- Own design and manufacturing.
- More than 1000 units installed.
- Informative messages with moving text line.
- Storage of last:
 - 150 deliveries per filling point
 - 250 errors
- Easy maintenance thanks to its modular design.
- Electronic totalizer: mass or volume and No. of deliveries.
- Start-stop button or deadman button.
- Optical indicator of delivery status.
- Temperature compensated fill pressure.

Hydraulics

- High accuracy coriolis meter.
- Up to three inlet pressure stages.
- Inlet manual valve and filter per pressure stage.
- Stainless steel piping and fittings.
- Hoses with break aways.
- Filling hose pressure gauge.
- NGV1 nozzle for cars and trucks.
- Optional NGV2 nozzle for buses.

| VERSION | Filling points | Meters | Stages | Displays |
|----------------|----------------|--------|--------|-------------------|
| E30 CNG A 11 F | 1 | 1 | 1 | 1 (one side only) |
| E30 CNG A 12 F | 1 | 1 | 2 | 1 (one side only) |
| E30 CNG A 13 F | 1 | 1 | 3 | 1 (one side only) |
| E30 CNG A 11 | 1 | 1 | 1 | 2 (one per side) |
| E30 CNG A 12 | 1 | 1 | 2 | 2 (one per side) |
| E30 CNG A 13 | 1 | 1 | 3 | 2 (one per side) |
| E30 CNG A 21 | 2 | 2 | 1 | 2 (one per side) |
| E30 CNG A 22 | 2 | 2 | 2 | 2 (one per side) |
| E30 CNG A 23 | 2 | 2 | 3 | 2 (one per side) |



Cetil Dispensing Technology, S.L.
Pelaya, 37 (P.I. Río de Janeiro) - 28110 Algete (Madrid) Spain
Phone: (+34) 916 287 651
Fax: (+34) 916 287 653
cetil@cetil.com | www.cetil.com

